



sawhorse scaffolding



taking risks is **Not** part of the job

LOTU
Preventing falls from height



OSALAN
LANEKO SEGURITASUN ETA
OSASUNEKO EUSKAL ERAKUNDEA
INSTITUTO VASCO DE SEGURIDAD
Y SALUD LABORALES



ascobi
bieba

Always check the causes of falls from:

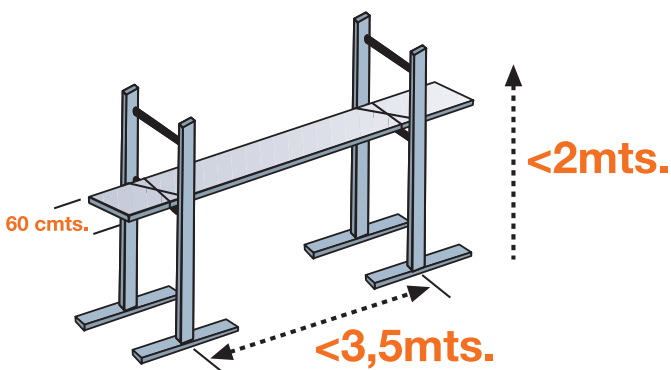
1 steps



2 shafts

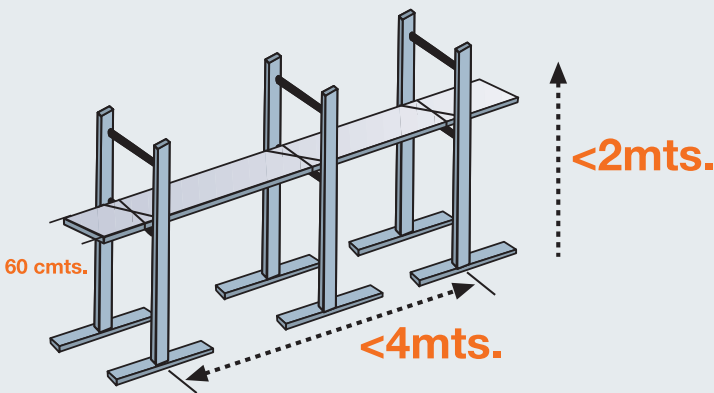


3 sawhorse scaffolding



Requirements for a platform

- Built out of metal materials (vertical and horizontal parts)
- Structure and strength proportional to the load they are going to hold
- Positioned on non slip surfaces
- Height under 2 m



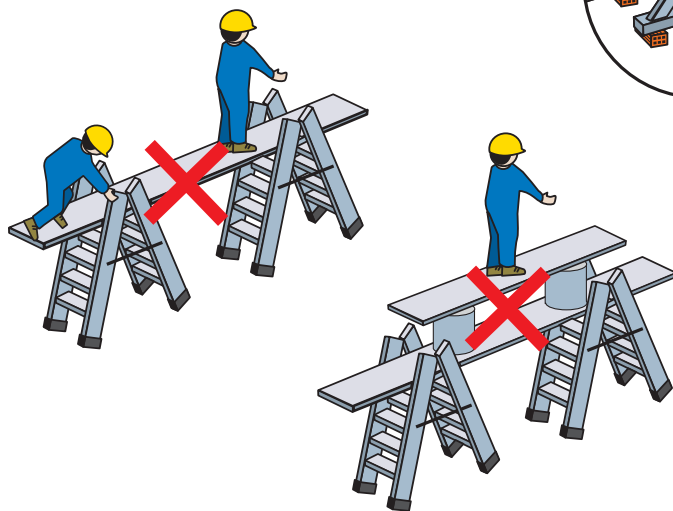
Requirements for a platform

- Do not exceed 3.50 m. between sawhorses, or third trestle on standard 4 m floor.
- At least 60 cm wide
- Surrounding area should be protected and kept clear of obstacles
- Vertical or horizontal parts should be anchored or tied down..
- Undergo meticulous inspected before starting the task (work and its risks change from day to day)

A platform

SHOULD NOT

- Be used by more than one person
- Rest or lean on unstable surfaces
- Be raised by stacking it on several other improvised platforms



A platform

SHOULD NOT

- Concentrate the weight and the loads in their centre, far from the supports
- Be used without extra protection (rails, baseboards, nets, etc) when the drop risk is over 2 m.
- Be used in hanging or suspended scaffolding

