



Scaffolding, towers and platforms



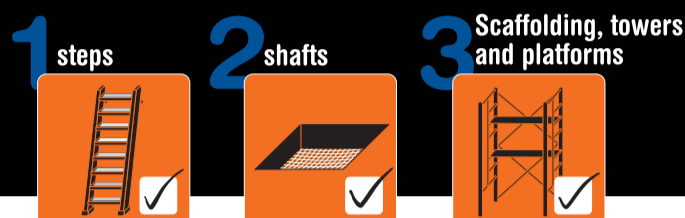
taking risks is *Not* part of the job

LOTU

Preventing falls from height

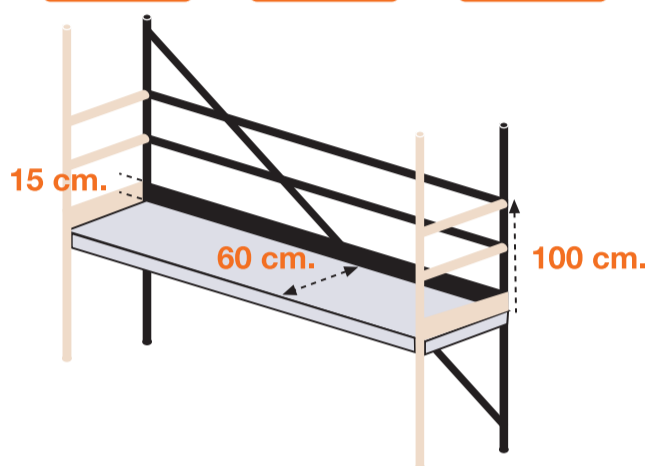


Always check the causes of falls from:

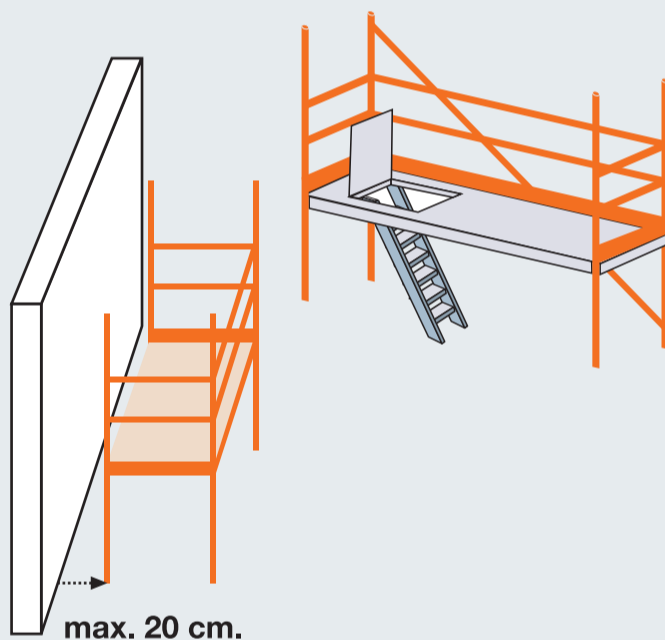


GENERAL STANDARDS

- Will be protected by means of **metallic handrail** of one meter height minimum, **intermediary bar and kick plate** of 15 centimetres height minimum on all sides, except for sides that are less than 20 centimetres from the façade. Will have **work platforms of 60 cm**. Minimum width. Tubular scaffolds and access towers and mobile works will have **interior ladders and trapdoors**, access from the exterior being prohibited.



- When being used you must **prevent objects from falling** on other persons. Hurling anything from the scaffold to the exterior is strictly prohibited.
- They must **allow free movement** without danger and evacuation in the case of imminent danger.
- Temporary works at a height may only be carried out when **meteorological conditions**, especially strong winds, do not represent a risk to the health and safety of the workers.
- Fitters must have **adequate specific training** in the matter, given by specialised personnel.
- The assembly of scaffolding must be **supervised by a qualified person-in-charge** who must certify them, supported by documentation, prior to use.
- As a general standard, scaffolds and towers with a height of **more than 6 m.** will have a **Plan of Assembly, Use and Dismounting**
- It is **prohibited to alter any element** of the scaffolding without the supervision of the person-in-charge.



SPECIFIC STANDARDS

Scaffolds

- The **maximum load** permissible by the manufacturer will be complied with.
- Only in those cases that are appropriately justified in the Safety and Health Plan or in the Risk Evaluation, access may be gained at height by means of duly protected platforms or walkways.

Towers

- Height (from the ground to the last platform) **must not exceed 4 meters** for each meter of the shortest side.
- The caster wheels must have a **device for locking** rotation and displacement.
- They **must not**, in any circumstance, be placed on **light material** or low resistance or unstable surfaces.
- It is **prohibited to move them with people or materials** or tools that are likely to fall off.
- **Pulleys and other elevation devices must not be installed** unless they have been expressly included in the project by the manufacturer for



Mast climbing platforms

- Operating **personnel** must be **qualified and trained**. Use or access will not be granted to any person lacking authorisation.
- They must have **protection against the risk of electrical contact** and it is necessary to confirm the absence of aerial telephone lines and electric cables in the surrounding area. Should there be electric cables in the immediate surroundings, all operations must be monitored and supervised from the ground by personnel who have experience and preventive training.
- The platforms **must not be overloaded**, and the load must be distributed in accordance with the drawing installed on the machine.
- Access will be gained from the ground, and **never by jumping over the handrails**.
- It is obligatory to use the **safety harness gripped to a resistant** line installed independently from the elevating platform.

Mobile elevating work platforms (MEWPs)

- Operating **personnel** must be **qualified and trained**. Use or access will not be granted to any persons lacking authorisation.
- Must not be used in operations or in conditions advised against by the manufacturer, and **shall comply with the specifications** established by the manufacturer concerning their use and restrictions of volume, weight and uniform positioning of the load.
- It is obligatory to **use the safety harness**, unless otherwise indicated by the manufacturer.
- A **survey of the terrain where the platform is to move must be carried out beforehand** making sure that it is sufficiently level and stable. It must not move along steeper slopes than those indicated by the manufacturer.